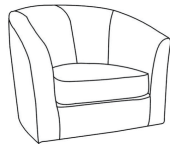


CLAUDIA BARREL CHAIR

Part # CHR-CLAUDIA XXXX

19-0222

PARTS



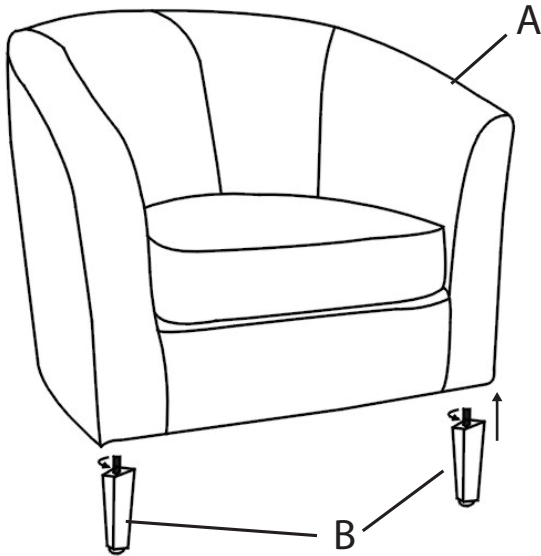
A



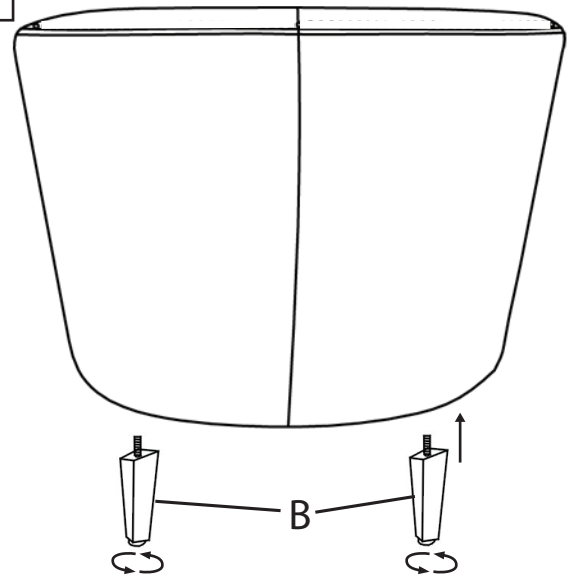
X4

B

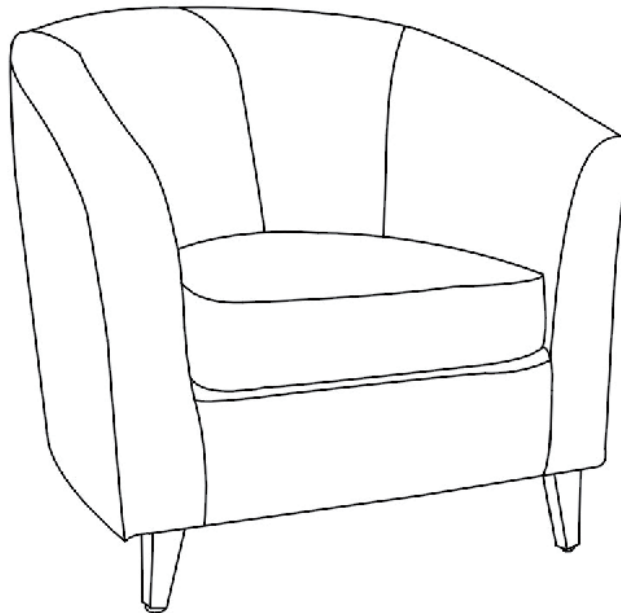
1



2



3



Do not over tighten.
Do not use power tools to assemble.